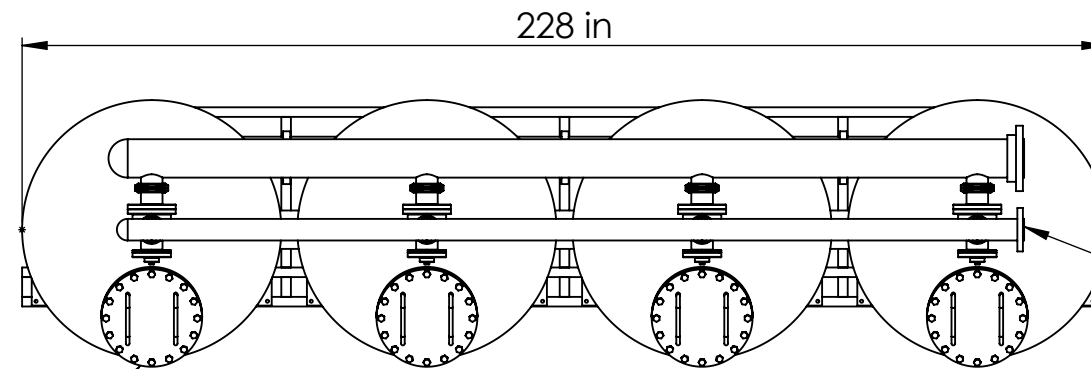
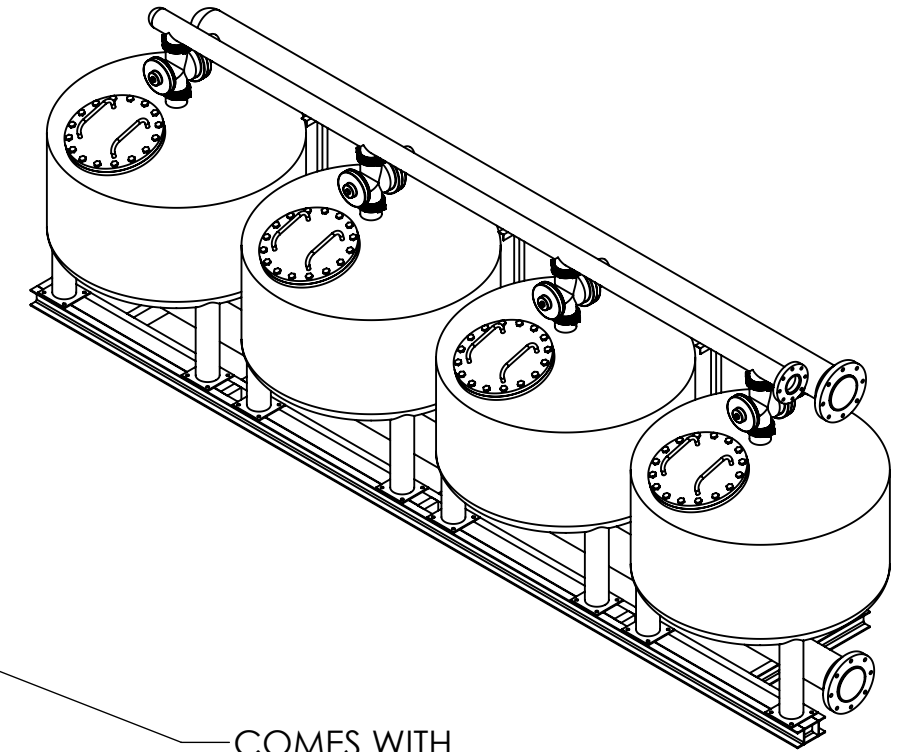


NOTE:

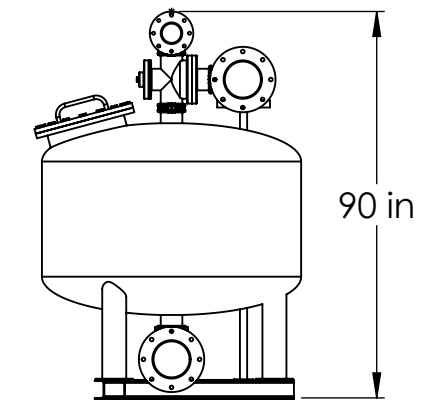
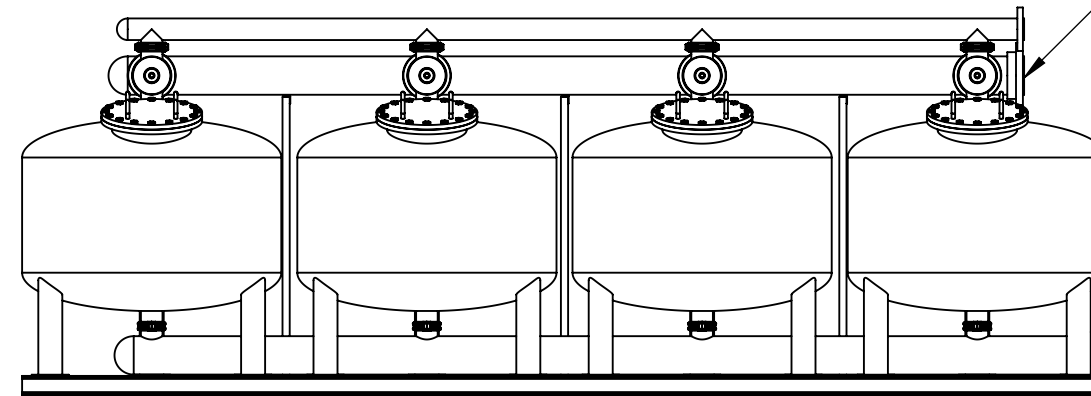
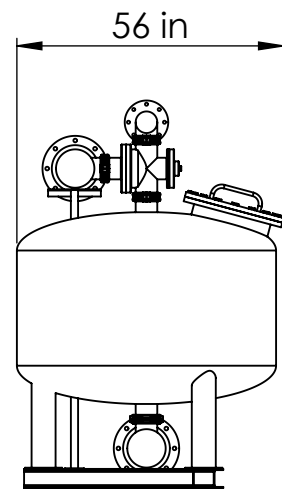
1. MATERIAL - CARBON STEEL
2. OUTLET DIFFUSERS - STAINLESS STEEL
3. MAX WORKING PRESSURE 90 psi (NOT ASME RATED)
4. MEDIA REQUIRED PER VESSEL - 1/2 in X 1 in FILTER ROCK 10 cu. ft.  
- 20-40 FILTER SAND 25 cu. ft.
5. WEIGHT - 5,125 LBS EMPTY  
- 15,100 lbs MEDIA ESTIMATE  
- 25,900 lbs OPERATING ESTIMATE



OPENING SIZE OF 15 in.

COMES WITH  
AUTO BACKWASH

OPTIONAL FITTINGS  
AND POSITIONING



OPTIONAL FITTINGS  
AND POSITIONING

PRELIMINARY

DSGN						
DR						
CHK						
APVD						
	NO.	DATE	REVISION DESCRIPTION	BY	APVD	



**REUSE OF DOCUMENTS**  
THIS DOCUMENT, AND THE IDEAS AND DESIGNS INCORPORATED HEREIN, ARE THE PROPERTY OF FILTER X TECHNOLOGIES INC AND ARE NOT TO BE USED OR DISTRIBUTED, IN WHOLE OR IN PART, WITHOUT THE WRITTEN AUTHORIZATION OF FILTER X.

**FX54-4**  
AUTO BACKWASHING SAND FILTER  
SALES DRAWING

SHEET 1
DWG FX54-4
DATE July 24, 2019
PROJ