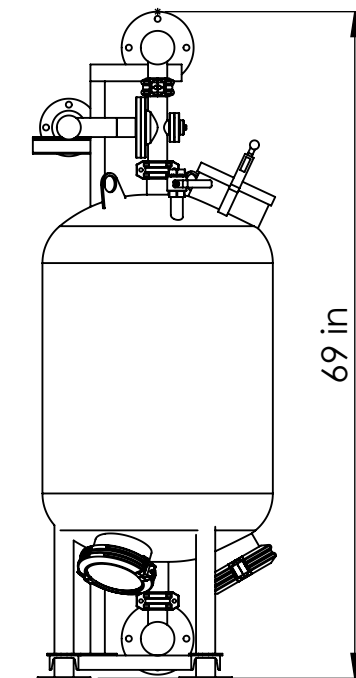
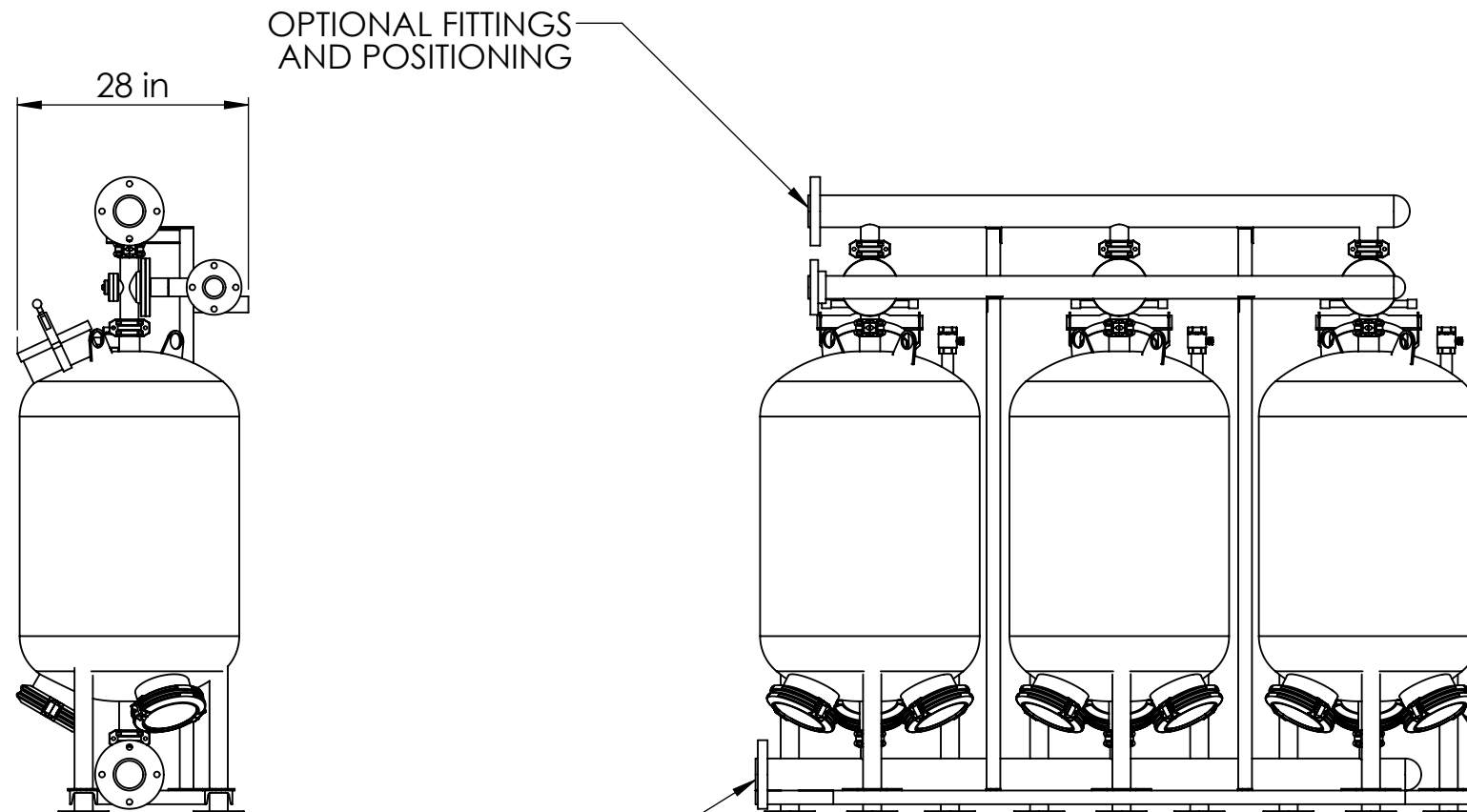
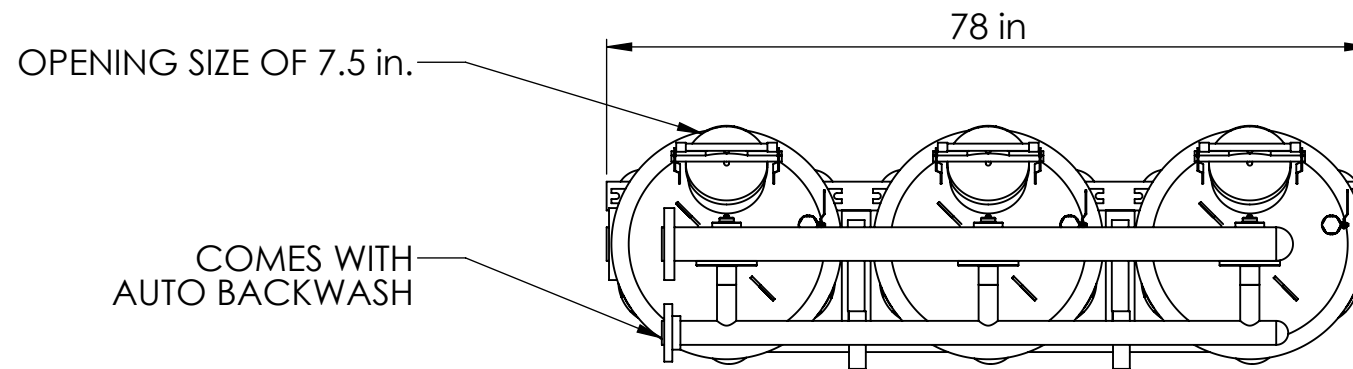
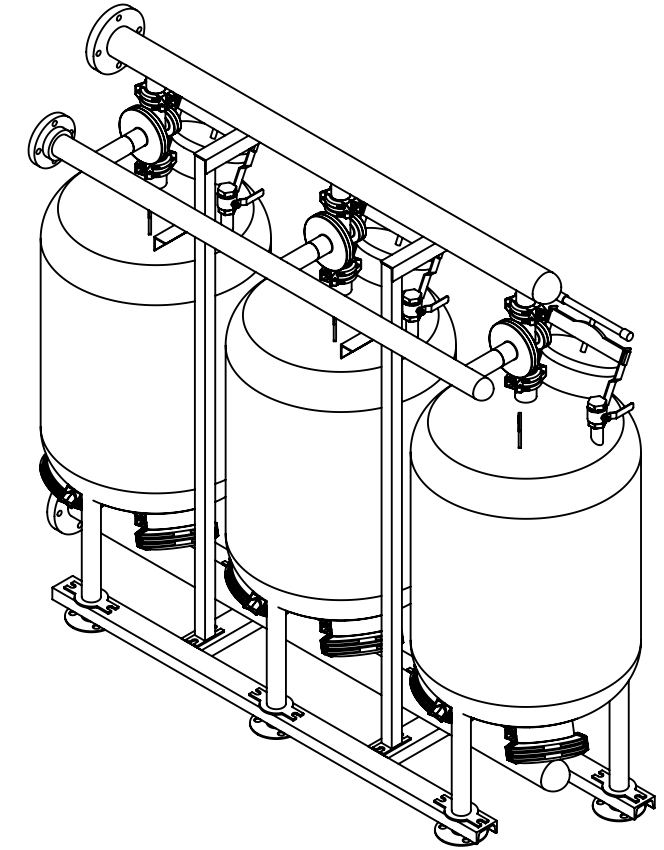


NOTE:

1. MATERIAL - CARBON STEEL
2. OUTLET DIFFUSERS - STAINLESS STEEL
3. MAX WORKING PRESSURE 90 psi (NOT ASME RATED)
4. MEDIA REQUIRED PER VESSEL - 1/2 in X 1 in FILTER ROCK 1.5 cu. ft.
- 20-40 FILTER SAND 4.5 cu. ft.
5. WEIGHT - 990 LBS EMPTY
- 1,850 lbs MEDIA ESTIMATE
- 3,500 lbs OPERATING ESTIMATE



PRELIMINARY

DSGN							
DR							
CHK							
APVD		NO.	DATE	REVISION DESCRIPTION	BY	APVD	



REUSE OF DOCUMENTS
THIS DOCUMENT, AND THE IDEAS AND DESIGNS INCORPORATED HEREIN, ARE THE PROPERTY OF FILTER X TECHNOLOGIES INC AND ARE NOT TO BE USED OR DISTRIBUTED, IN WHOLE OR IN PART, WITHOUT THE WRITTEN AUTHORIZATION OF FILTER X.

FX24-3
AUTO BACKWASHING SAND FILTER
SALES DRAWING

SHEET 1
DWG FX24-3
DATE July 24, 2019
PROJ