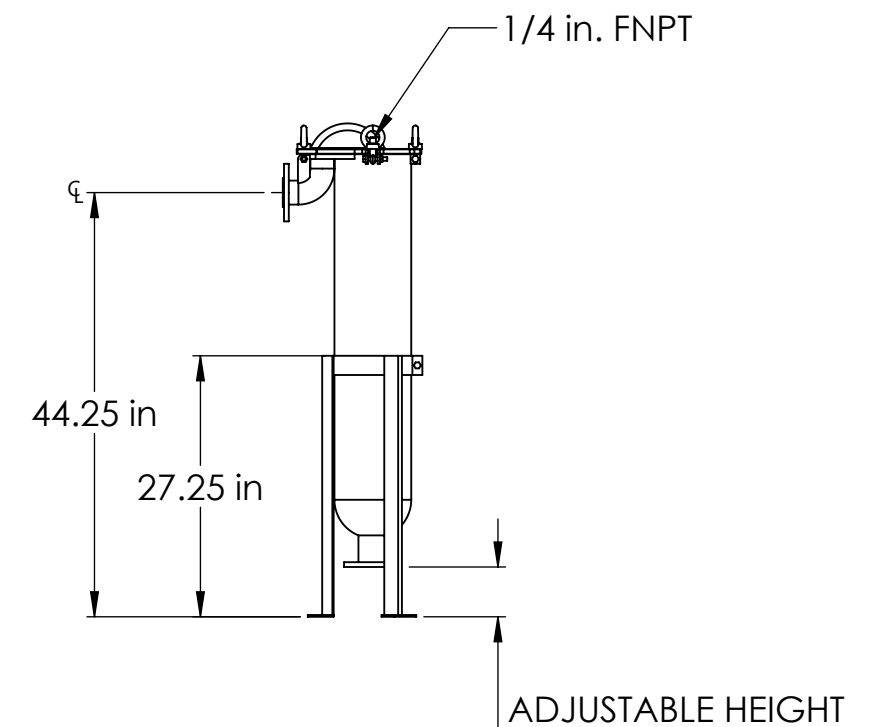


ELEVATION SIDE



ELEVATION FRONT

- NOTE:
1. MATERIAL - CARBON STEEL OR STAINLESS STEEL
 2. VESSEL WEIGHT - 75 lbs (EMPTY)
- 130 lbs (OPERATIONAL)
 3. BAG FILTER SIZE - #2
 4. NUMBER OF BAGS - 1
 5. HOUSING VOLUME - 6.6 gal
 6. MAX WORKING PRESSURE - 145 psi (NOT ASME RATED)

PRELIMINARY	DSGN						<p>REUSE OF DOCUMENTS</p> <p>THIS DOCUMENT, AND THE IDEAS AND DESIGNS INCORPORATED HEREIN, ARE THE PROPERTY OF FILTER X TECHNOLOGIES INC AND ARE NOT TO BE USED OR DISTRIBUTED, IN WHOLE OR IN PART, WITHOUT THE WRITTEN AUTHORIZATION OF FILTER X.</p>	<p>FX1</p> <p>PRESSURE BAG FILTER</p> <p>SALES DRAWING</p>	SHEET 1
	DR								DWG FX1
	CHK								DATE July 24, 2019
	APVD								PROJ
	NO.	DATE	REVISION DESCRIPTION	BY	APVD				